

HHN-SL1

PLC DC Amplifier Board
PLC直流放大板



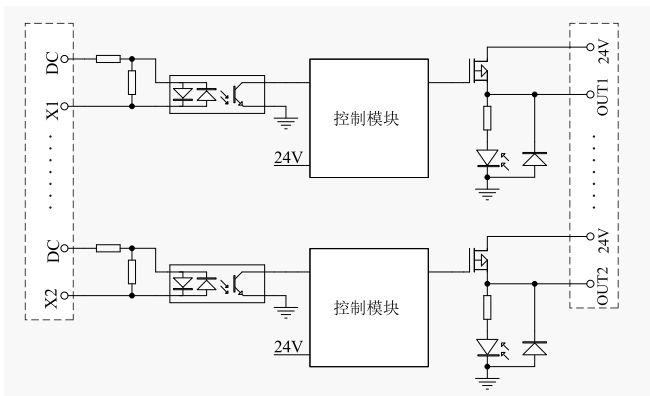
产品特点 FEATURES

- 光耦隔离，回路绝缘，隔离电压3750Vms, PLC放大版加入光耦隔离、短路保护、浪涌保护等保护电路，有效保护PLC输出点及设备，防止电网干扰信号导致的误操作等；
- 可更换保险管，保护电路，降低更换成本；
- 原装进口MOS管，有P型和N型MOS管制分，极强的大电流和大功率处理能力、极低的导通内阻；极低的栅极电荷、极高的工作频率(可达5KHZ以上)使用超长寿命大于等于1亿次；
- 采用进口晶体管，品质保障，可靠稳定；
- 附带散热片，可带更大负载、跟稳定工作。
- Optocoupler isolation, loop isolation, isolation voltage 3750Vms, PLC amplifier version adds optocoupler isolation, short circuit protection, surge protection and other protection circuits to effectively protect PLC output points and equipment, and prevent misoperation caused by grid interference signals;
- The fuse can be replaced to protect the circuit and reduce the replacement cost;
- Original imported MOS tube, with P-type and N-type MOS control points, extremely strong high-current and high-power processing capabilities, extremely low conduction resistance; extremely low gate charge, extremely high operating frequency (up to 5KHZ above), Long life span is greater than or equal to 100 million times;
- Using imported transistors, quality assurance, reliability and stability;
- With heat sink, it can carry larger load and work stably.

外形尺寸 DIMENSIONS

型号 Model	位数 Bit	长x宽x高HxWxH(mm)
HHN-SL104ACD24	4	72x85x53
HHN-SL106ACD24	6	98x85x53
HHN-SL108ACD24	8	121x85x53
HHN-SL110ACD24	10	147x85x53
HHN-SL112ACD24	12	171x85x53
HHN-SL116ACD24	16	229x85x53
HHN-SL120ACD24	20	280x85x53
HHN-SL124ACD24	24	380x85x53

接线图 WIRING DIAGRAM



规格参数 SPECIFICATIONS

• 产品名称 Product name	PLC晶体管直流放大板模组 PLC transistor DC amplifier board module
• 控制部件 Control unit	原装进口MOS管 Imported MOS tube
• 输入电压 Input voltage	24V(默认24V, 控制范围3V~24V, 如需其他请注明)
• 输入信号 Input signal	兼容NPN(输入0V信号有效)及 PNP(输入24V信号有效)
• 安装方式 Installation method	标准导轨安装(可安装在NS35/7.5 或NS32导轨上) DIN rail installation(NS35/7.5 or NS32)
• 负载电流(每路) Load current (per Bit)	阻性负载 $\leq 3A$ (瞬间8A, 可订做) 感性负载 $\leq 2A$ (瞬间8A, 可订做) Resistive load $\leq 3A$ (Moment 8A) Inductive load $\leq 2A$ (Moment 8A)
• 输入最小驱动电流 Input min. current	$\geq 15mA$
• 输入响应时间 Enter response time	$\geq 0.2ms$
• 大开关频率 Large switching frequency	$< 5K$
• 存储温度 Storage temperature	$-40^{\circ}C \sim 150^{\circ}C$
• 工作温度 Operating temperature	$-20^{\circ}C \sim 70^{\circ}C$
• 机械寿命 Mechanical life	≥ 1 亿次 ≥ 100 million times
• 回路绝缘 Loop insulation	光耦隔离 Optocoupler isolation
• 短路保护 Short circuit protection	10A
• 连接方式 Connection method	5.08端子(拔插端子座) 5.08 terminal (plug terminal block)
• 动作指示灯 Action indicator	输入ON时, 输入指示灯亮绿色, 输出无指示灯 When the input is ON, Input indicator green, Output without indicator light
• 输入输出点数 Input and output Bit	(如8路)输入8点(路),输出8点(路) 8 Bit : input 8Bit, output 8Bit